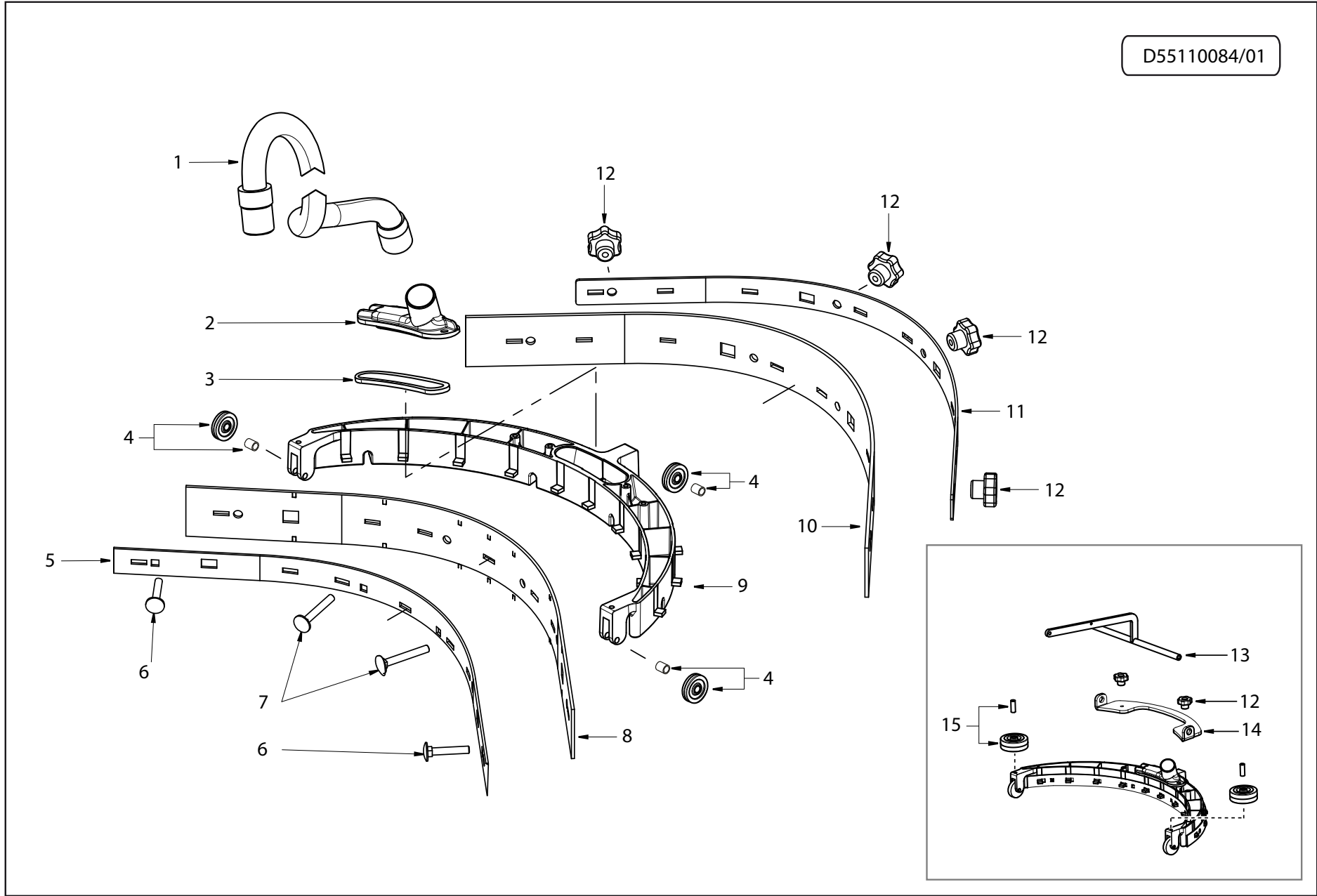


D55110084/01



Pos.	Code	Substituted by	Q.ty	Purchasable	Min. Q.ty	For mainten.	Description
001	3.752.0291		1	Yes	1		VACUUM HOSE L= 2300mm DYNAMIC
002	4.508.1318		1	Yes	1		SQUEEGEE SUCTION COMPARTMENT COVER
003	4.508.1699		1	Yes	1	EXT	GASKET
004	6.505.0082		3	Yes	1		WHEEL SET
005	4.507.1580		1	Yes	1		FRONT BLADE HOLDER
006	3.002.0821		2	Yes	1		SCREW M6 X 40
007	3.002.0916		2	Yes	1		SCREW M6X60
008	4.508.1319		1	Yes	1	ORD	FRONT SQUEEGEE BLADE
009	4.505.0881		1	Yes	1		SQUEEGEE BODY (SANDBLASTING-CATAPHORESIS+BLACK POWDER PAINTING)
010	4.508.1320		1	Yes	1	ORD	BACK SQUEEGEE BLADE
011	4.507.1581		1	Yes	1		BACK BLADE HOLDER
012	3.099.0477		6	Yes	1		KNOB M6 (THREADED PASS-THROUGH HOLE)
013	4.507.1579		1	Yes	1		SQUEEGEE LEVER LIFT DYNAMIC
014	4.507.1578		1	Yes	1		SQUEEGEE SUPPORT DYNAMIC
015	6.505.0100		2	Yes	1		WHEEL SET